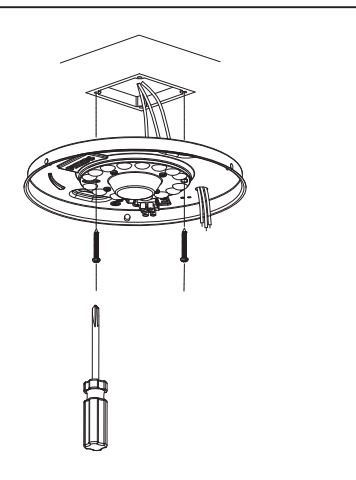
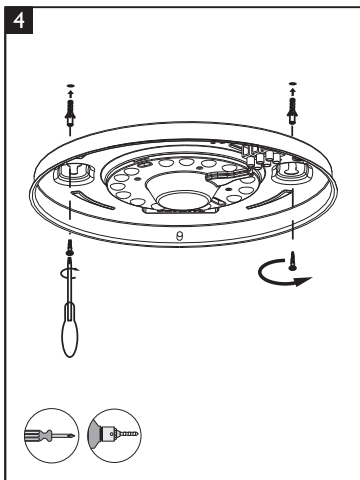
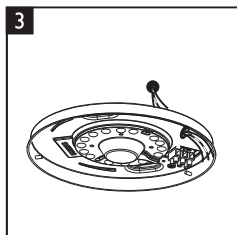
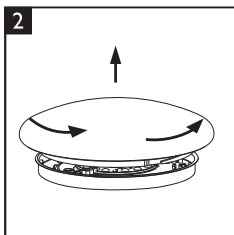
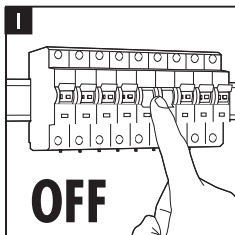
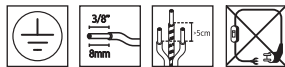


front

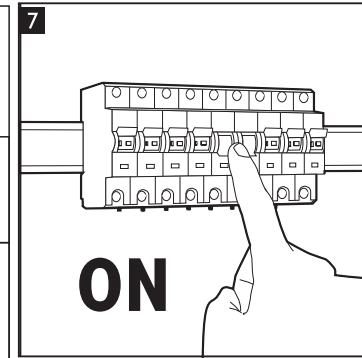
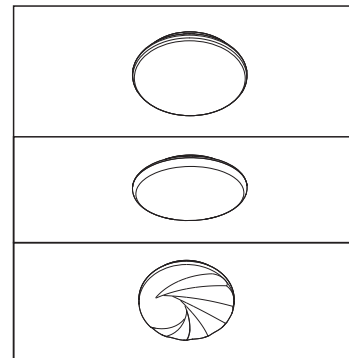
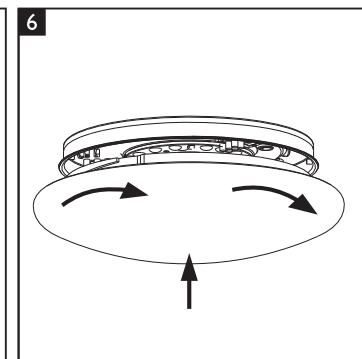
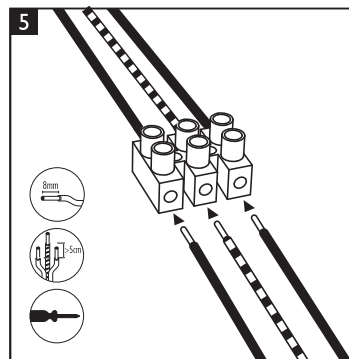
PHILIPS

Shore CL202

Moire



back



E 9150057759 9150057753 9150057783 9150057777

F 9150057776 9150057782 9290025509 9290025508

Philips and the Philips shield emblem are registered trademarks of Koninklijke Philips N.V.

Signify
I.B.R.S. / C.C.R.I. Numéro 10461
5600 VB Eindhoven, the Netherlands
www.philips.com/lighting
© 2021 Signify Holding

Signify Commercial UK Limited
Unit 3, Guildford Business Park,
Guildford, Surrey, GU2 8XG, UK



3241 657 11233

Last update: 09/04/21

size: 105mmx148mm